

VAN STORAGE EQUIPMENT



CHEVROLET CITY EXPRESS VAN SOLUTIONS



WWW.WEATHERGUARD.COM

SHELVING

Adjustable van shelves are fully hemmed to increase strength and fit all your tools, materials, and supplies. Captive hardware makes it easy to adjust shelves. Durable **Brite-White™** powder-coat finish for a long-lasting professional appearance

BETTER BULKHEADS

Better bulkheads with **polycarbonate windows** and tighter fit for visibility, noise reduction, and **climate control**. Lightweight mesh bulkheads deliver full driver and cargo protection.



REDZONE ACCESSORIES

REDZONE Accessories help you put frequently used **tools and materials** close, where you need them – including a tool organizer, cleaning station, wire spool holder, caulk tube tray, a range of **trade-specific accessories**, and more

QUICK INSTALLATION

Quick installation features from floor mounting brackets to simplified bulkhead mounting brackets, and **pre-punched mounting holes** in end panels and shelves



WEATHER GUARD® Van Solutions are ready to roll with game changing improvements based on years of research and your input. Completely retooled shelving, improved bulkheads, customizable organizational features, and a host of smart new accessories, designed around the common sense idea that tools and equipment belong on the shelf, not the floor.

BULKHEADS & SPECIALTY STORAGE

BULKHEADS



Bulkhead for Chevrolet City Express Van

Window bulkheads offer unobstructed visibility of the cargo area, side door, and rear door. Maximizes comfort in the passenger area. Lightweight mesh bulkheads deliver full driver and cargo protection.

MODEL	DESCRIPTION	WEIGHT
96114-3-01	Chevy City Express Screen Bulkhead	35 lbs.
96514-3-01	Chevy City Express Window Bulkhead	40 lbs.

SPECIALTY STORAGE

LIGHTWEIGHT PACK RAT® DRAWER UNIT FOR POWER TOOLS



- Deep aluminum tool storage drawer provide lots of space to store and charge your tools
- Legendary PACK RAT® Drawer Unit security and durability in a weight saving design

Tool Drawer

MODEL	HEIGHT	WIDTH	DEPTH	COMPARTMENTS	WEIGHT
310-3-01	17¾"	12¼"	42"	1	56 lbs.



- Lightweight Aluminum Drawers carry up to 75 lbs. of equipment each
- Units Can be stacked as needed for additional storage
- Roller mounted drawers glide open to full extension
- Adjustable drawer dividers offer greater flexibility
- Anti-Skid Strips provide traction for wet and muddy boots

Lateral and Stacked Drawer Units

MODEL	DRAWERS	HEIGHT	WIDTH	DEPTH	WEIGHT
314-3	1 Drawer	6¾"	12¼"	49"	26 lbs.
316-3	2 Lateral	6¾"	24"	49"	55 lbs.
317-3	3 Lateral	6¾"	36"	49"	85 lbs.
326-3	2 Stacked	12¼"	12¼"	49"	48 lbs.
327-3	3 Stacked	17¾"	12¼"	49"	71 lbs.
328-3	4 Stacked	23½"	12¼"	49"	92 lbs.

ADJUSTABLE SHELVING

Unmatched durability, organization and productivity from Weather Guard. Heavy Duty shelves are 16" deep and include floor clearance and cargo tie down caps for maximum storage. Space saving 13" deep adjustable shelving provide great efficiency in tight spaces. End panels and shelf fronts are designed for easy customization. Shelves can be quickly adjusted up or down. Assembly and installation is faster than ever.

WEATHER GUARD® EXCLUSIVE!



END CAPS

for material storage and load tie-down

ADJUSTABLE DIVIDERS

One set of four 16" Standard Dividers or four 13" Narrow Dividers included for each shelf.

UNMATCHED DURABILITY

achieved with heavy duty 18 gauge steel construction

17° TAPERED END PANEL CLOSER FIT for more working space inside the van



DEEP FULLY HEMMED SHELVES

sized for tools, equipment, and other materials



EASY TO CUSTOMIZE

with pre-punched mounting holes for WEATHER GUARD® accessories and adjustable dividers

FLOOR CLEARANCE

for material storage. Fits PACK RAT® Drawer Units.



FLAT FRONTS

on 13" deep adjustable shelves. Mount doors and accessories at floor level

Shelf Units

MODEL		HEIGHT	WIDTH	DEPTH	SHELVES	DIVIDERS	WEIGHT	END PANEL KIT	SHELF KIT
9353-3-01		46"	36"	13"	3	8	60 lbs.	9234-3-01	9153-3-01
9354-3-01		46"	42"	13"	3	8	65 lbs.	9234-3-01	9154-3-01
9355-3-01		46"	52"	13"	3	8	69 lbs.	9234-3-01	9155-3-01
9356-3-01		46"	60"	13"	3	8	85 lbs.	9234-3-01	9156-3-01
9333-3-02	Heavy Duty	36"	36"	13"	2	8	48 lbs.	9233-3-01	9173-3-01
9334-3-02	Heavy Duty	36"	42"	13"	2	8	48 lbs.	9233-3-01	9174-3-01
9336-3-02	Heavy Duty	36"	60"	13"	2	8	50 lbs.	9233-3-01	9176-3-01
9343-3-02	Heavy Duty	46"	36"	16"	3	12	74 lbs.	9264-3-01	9183-3-01
9344-3-02	Heavy Duty	46"	42"	16"	3	12	80 lbs.	9264-3-01	9184-3-01
9345-3-02	Heavy Duty	46"	52"	16"	3	12	85 lbs.	9264-3-01	9185-3-01
9346-3-02	Heavy Duty	46"	60"	16"	3	12	104 lbs.	9264-3-01	9186-3-01

ACCESSORIES

It's where winning teams prove who they are. At work, the REDZONE is your van and how you organize it for maximum productivity. It's all about productivity and organization. The work zones in your van from back, side, even the cab.



1. Can Organizer



2. Cleaning Station



3. Medium Bin



4. 5-Gallon Bucket Holder



5. Wire Spool Holder

End Panel Accessories

	MODEL	HEIGHT	WIDTH	DEPTH	WEIGHT
1	9874-7-01	9.8"	12"	4"	3 lbs.
2	9878-7-01	15½"	13"	7"	8 lbs.
3	9884-7-01	6½"	13"	7"	8 lbs.
4	9885-7-01	6¼"	11¼"	11¼"	8 lbs.
5	9882-7-01	26"	14"	6"	12 lbs.

Mounting Kits & Divider Kits

MODEL	DESCRIPTION	WEIGHT
9993-3-01	Mounting bracket kit for 13" shelves	1 lb.
9822-3-01	Divider and liner kit for narrow drawers	2 lbs.
9996-3-01	Mounting bracket kit for 16" shelves	1 lb.
9824-3-01	Divider and liner kit for deep drawers	2 lbs.



Parts Bin Boxes & Cabinets

MODEL	DRAWERS	HEIGHT	WIDTH	DEPTH	WEIGHT
9906-3-02	6	4½"	32½"	11¾"	18 lbs.
9909-3-02	9	12"	17"	11¾"	28 lbs.
9918-3-02	18	12"	32½"	11¾"	54 lbs.
9950-7-02*	N/A	12.6"	20.3"	14.4"	4 lbs.
9951-9-01	N/A	3"	18½"	13"	3 lbs.

*Parts cases not included

Mounting brackets not included with cabinet. Order Shelf Mounting Kit 9996-3-01 for 16" deep shelves or 9993-3-01 for 13" deep shelves.



Bin Sets sturdy plastic bins sized to fit new 13" van shelving

MODEL	HEIGHT	WIDTH	DEPTH	BINS	WEIGHT
9858-7-01	5"	5½"	10.875"	6	8 lbs.
9859-7-01	7"	8¼"	10.875"	6	8 lbs.



Mechanics Grade Tool Cabinets

High quality and durable mechanics grade tool cabinets for your van feature easy-to-grip handles and smooth ball-bearing rollers.

MODEL	DRAWERS	HEIGHT	WIDTH	DEPTH	WEIGHT
9912-3-02	2	12"	16"	13.7"	26 lbs.
9914-3-02	4	12"	16"	13.7"	32 lbs.
9924-3-02	4	24"	16"	13.7"	48 lbs.
9928-3-02	8	24"	16"	13.7"	60 lbs.

Order Shelf Mounting Kit 9996-3-01 for 16" deep shelves or 9993-3-01 for 13" deep shelves.

Retainer Lips keeps items in place under shelf units

MODEL	HEIGHT	WIDTH	DEPTH	WEIGHT
9703-3-01	4"	36"	2"	1 lb.
9704-3-01	4"	42"	2"	1 lb.
9705-3-01	4"	52"	2"	2 lbs.
9706-3-01	4"	60"	2"	2 lbs.



Shelf Doors with High Security D Handle Lock

mount to shelf units or to retainer lips. Single point D-handle lock for added security. Seven mounting holes shelf to shelf spacing

MODEL	HEIGHT	WIDTH	WEIGHT
9503-3-01	10½"	36"	13 lbs.
9504-3-01	10½"	42"	17 lbs.
9505-3-01	10½"	52"	21 lbs.
9506-3-01	10½"	60"	25 lbs.

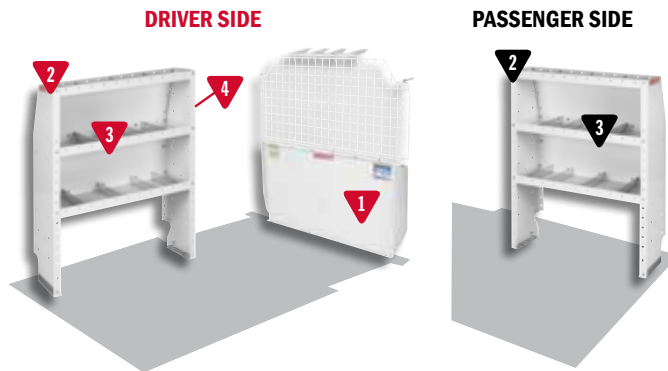
Light Weight Shelf Back Panels

lightweight, finished appearance

MODEL	HEIGHT	WIDTH	WEIGHT
9603-3-01	13½"	36"	2 lbs.
9604-3-01	13½"	42"	3 lbs.
9605-3-01	13½"	52"	4 lbs.
9606-3-01	13½"	60"	5 lbs.

CHEVROLET CITY EXPRESS PACKAGES

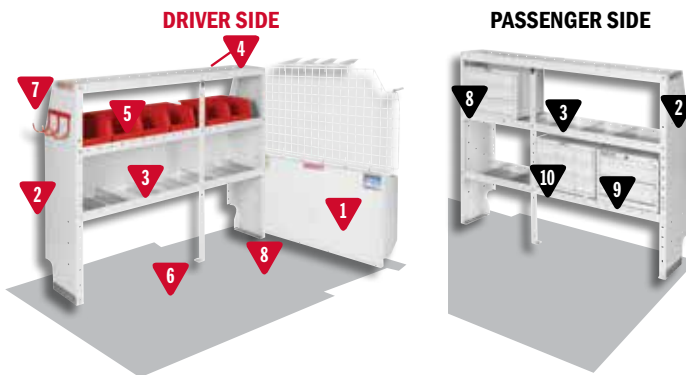
COMMERCIAL / BASE



Commercial/Base 600-8320

MODEL	DESCRIPTION	QUANTITY
1	96114-3-01 Bulkhead, Chevrolet City Express	1
2/2	9234-3-01 Tapered End Panel Set (46"H x 13"D)	2
3/3	9153-3-01 Adjustable 3 Shelf Set 36" x 13"	2
4	9603-3-01 Accessory Back Panel, 36"	4

GENERAL SERVICE



General Service 600-8321

MODEL	DESCRIPTION	QUANTITY
1	96114-3-01 Bulkhead, Chevrolet City Express	1
2/2	9234-3-01 Tapered End Panel Set (46"H x 13"D)	2
3/3	9156-3-01 Adjustable 3 Shelf Set 60" x 13"	2
4	9606-3-01 Accessory Back Panel, 60"	1
5	9859-7-01 REDZONE Medium 6 Bin Set 13"	1
6	9740-3-01 Shelf Support for 60" shelves, 46"H	2
7	9893-7-01 REDZONE 3 hook cord or tool holder	1
8	9993-3-01 Shelf Accessory Mounting kit, 13" deep shelf	3
9	9912-3-02 2 Drawer Cabinet 16"x14"x12"	1
10	9909-3-02 Parts Cabinet 9 Bin 16"x12"x12"	2

SEE PAGE 5 FOR A COMPLETE LIST OF ACCESSORIES

weather guard

CUSTOM CONFIGURATOR

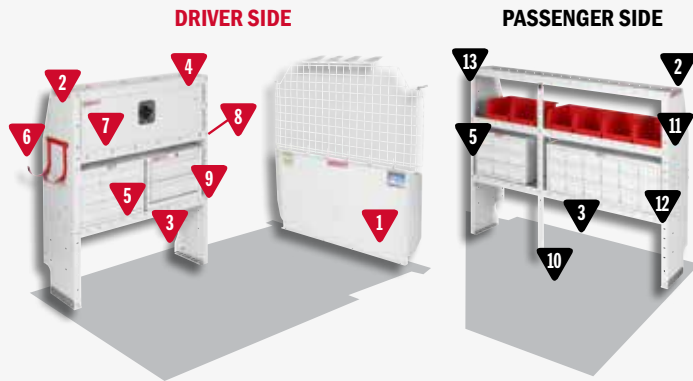
Create a custom solution that fits your needs
IT'S EASY, FAST AND FLEXIBLE



CUSTOMIZING YOUR VEHICLE
IS AS EASY AS 1-2-3:

1. Choose your make & model
2. Select a base package
3. Customize & add accessories

CABLE / PLUMBING

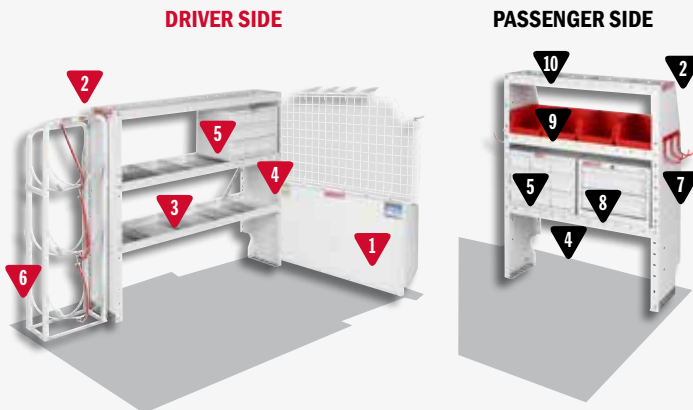


Cable / Plumbing

600-8322

	MODEL	DESCRIPTION	QUANTITY
1	96114-3-01	Bulkhead, Chevrolet City Express	1
2/2	9234-3-01	Tapered End Panel Set (46"H x 13"D)	2
3/3	9993-3-01	Shelf Accessory Mounting kit, 13" deep shelf	4
4	9153-3-01	Adjustable 3 Shelf Set 36" x 13"	1
5/5	9909-3-02	Parts Cabinet 9 Bin 16"x12"x12"	2
6	9892-7-01	REDZONE 2 hook holder (5" dia)	1
7	9503-3-01	Shelf Door, 36"	1
8	9603-3-01	Accessory Back Panel, 36"	1
9	9912-3-02	2 Drawer Cabinet 16"x14"x12"	1
10	9740-3-01	Shelf Support for 60" shelves, 46"H	1
11	9859-7-01	REDZONE Medium 6 Bin Set 13"	1
12	9918-3-02	Parts Cabinet 18 Bin 32"x12"x12"	1
13	9156-3-01	Adjustable 3 Shelf Set 60" x 13"	1

HVAC / MECHANICAL

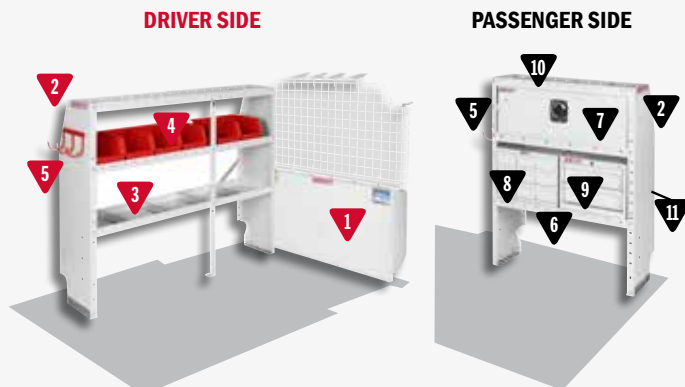


HVAC / Mechanical

600-8323

	MODEL	DESCRIPTION	QUANTITY
1	96114-3-01	Bulkhead, Chevrolet City Express	1
2/2	9234-3-01	Tapered End Panel Set (46"H x 13"D)	2
3	9155-3-01	Adjustable 3 Shelf Set 52" x 13"	1
4/4	9993-3-01	Shelf Accessory Mounting kit, 13" deep shelf	3
5/5	9909-3-02	Parts Cabinet 9 Bin 16"x12"x12"	2
6	9863-3-01	Refrigerant Tank Rack 2x30#, 1x50#	1
7	9893-7-01	REDZONE 3 hook cord or tool holder	1
8	9912-3-02	2 Drawer Cabinet 16"x14"x12"	1
9	9859-7-01	REDZONE Medium 6 Bin Set 13"	1
10	9153-3-01	Adjustable 3 Shelf Set 36" x 13"	1

ELECTRICAL CONTRACTOR



Electrical Contractor

600-8324

	MODEL	DESCRIPTION	QUANTITY
1	96114-3-01	Bulkhead, Chevrolet City Express	1
2/2	9234-3-01	Tapered End Panel Set (46"H x 13"D)	2
3	9156-3-01	Adjustable 3 Shelf Set 60" x 13"	1
4	9859-7-01	REDZONE Medium 6 Bin Set 13"	1
5/5	9893-7-01	REDZONE 3 hook cord or tool holder	2
6	9993-3-01	Shelf Accessory Mounting kit, 13" deep shelf	2
7	9503-3-01	Shelf Door, 36"	1
8	9909-3-02	Parts Cabinet 9 Bin 16"x12"x12"	1
9	9912-3-02	2 Drawer Cabinet 16"x14"x12"	1
10	9153-3-01	Adjustable 3 Shelf Set 36" x 13"	1
11	9603-3-01	Accessory Back Panel, 36"	1

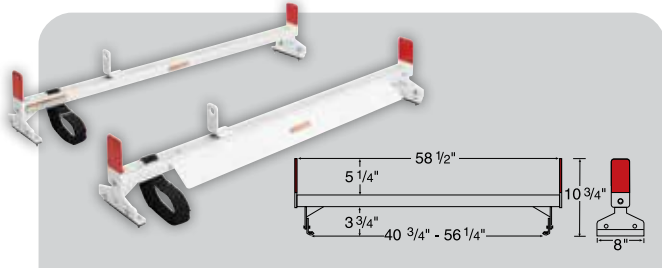
SEE PAGE 5 FOR A COMPLETE LIST OF ACCESSORIES

ROOF RACKS

WEATHER GUARD® EXCLUSIVE!

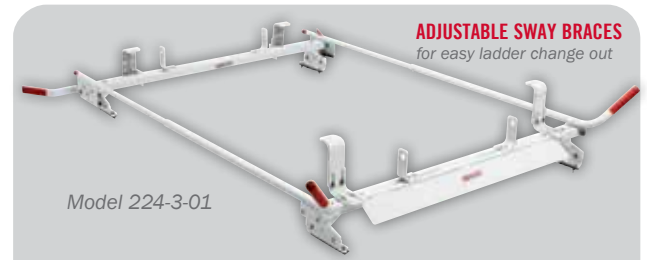


WEATHER GUARD® Roof Racks are designed to mount through holes built into the new Chevrolet City Express van.



Powder Coated Aluminum Rack for Compact Vans

MODEL	DETAILS	WEIGHT
218-3	2 Cross Member Rack	25 lbs.
222-3	Accessory Cross Member	13 lbs.



Quick Clamp Racks Compact Vans

MODEL	DETAILS	WEIGHT
223-3-01	Single clamp on the curb side only	41 lbs.
224-3-01	Dual clamp on the street and curb side	46 lbs.

1. Order two Model 2510F Roof Rack Mounting Kits for each Roof Rack.
2. Order one Model 2510F Roof Rack Mounting Kit for each accessory cross-member.



The quickest, easiest, and safest drop-down ladder rack system available. With just a twist of a lever, EZ-GLIDE® System gently delivers your ladder to the right spot for back-saving loading and unloading. When the work is done, another twist is all it takes to have the ladder packed away and ready to roll.

EZ-GLIDE® System Rack

MODEL	DETAILS	WEIGHT
253	Compact Van Rack	67 lbs.

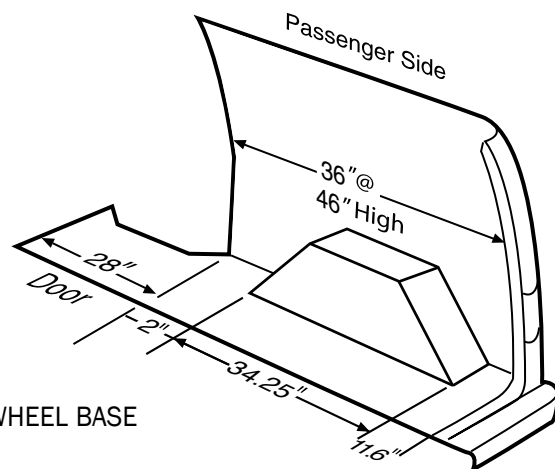
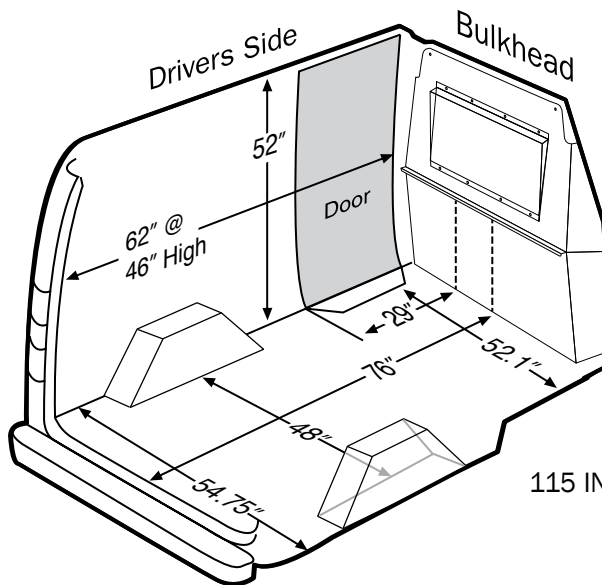


Our Sliding Ladder Rack provides quick and easy ladder storage inside your van. Rugged and durable, this rack fits 8-foot step, extension, or multi-position ladders and can be mounted to the roof or side panel.

All-Purpose Ladder Racks

MODEL	DETAILS	WEIGHT
250	Sliding Rack	27 lbs.

CITY EXPRESS INTERIOR DIMENSIONS



115 IN. WHEEL BASE

For information on the WEATHER GUARD® Van Solutions Limited Lifetime Warranty, visit www.weatherguard.com
To order more WEATHER GUARD® Van Solutions OEM brochures, please call us at **800.456.7865**



©2014 Knaack, LLC. All rights reserved.

CONTACT YOUR LOCAL DISTRIBUTOR/UPFITTER